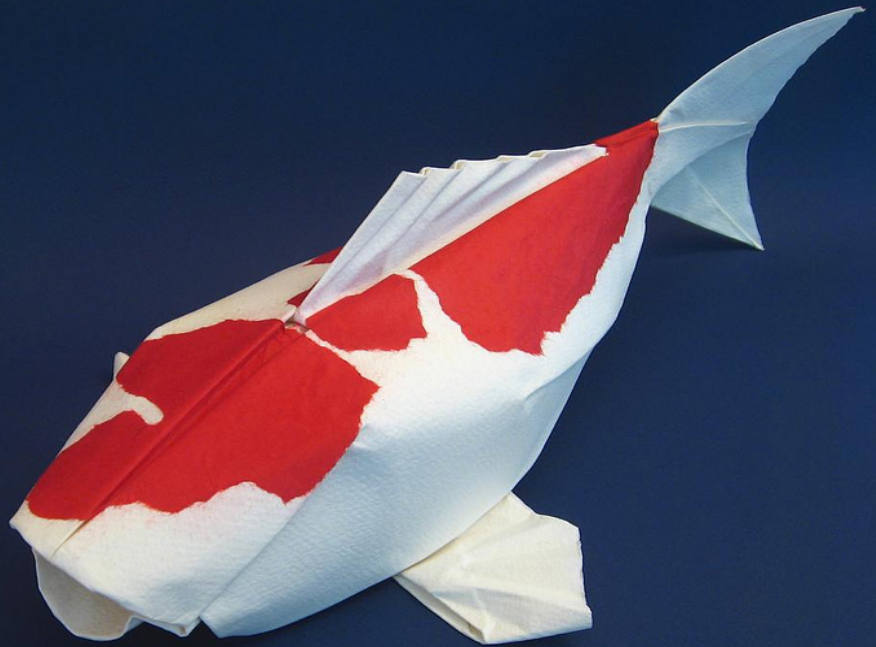


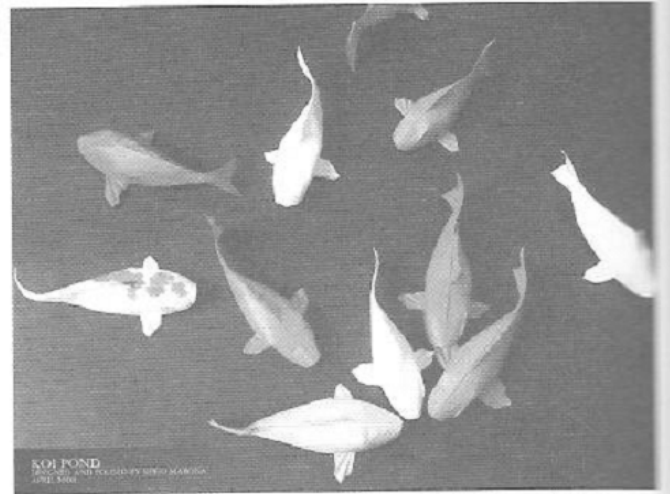
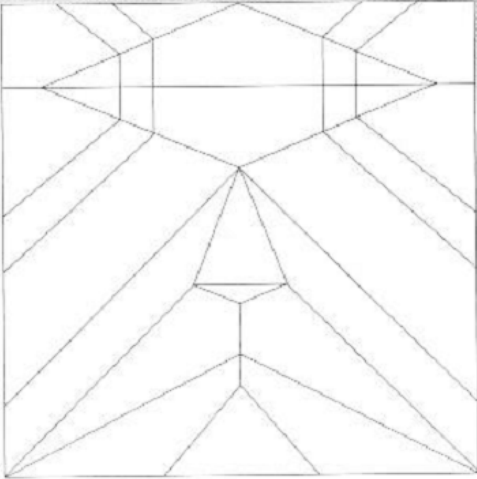


KOI

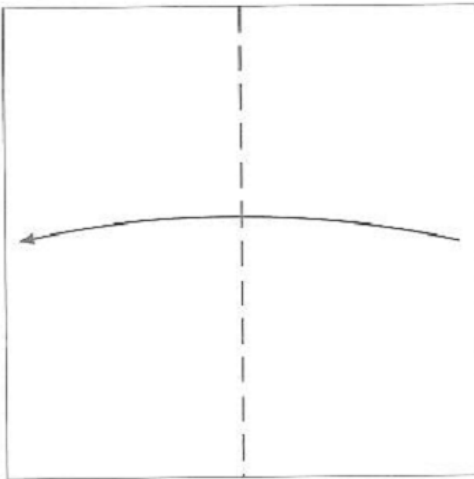


KOI
DESIGNED AND FOLDED BY SIPHO MABONA 2008

My goal with this model was to design a Koi with a soft flowing shape, without omitting the dorsal fin. The model can be folded with paper weighing anywhere between 40-185 gsm. Best results are achieved by wet folding or finishing.



1



Fold the right edge to the left.

2



Fold the corner to the left edge. Unfold.

3

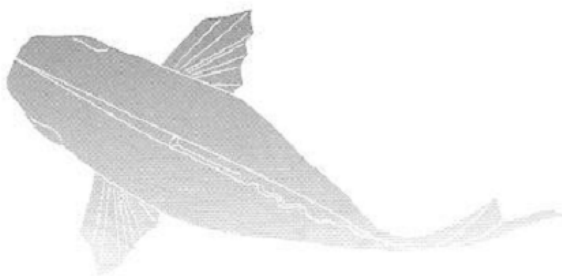


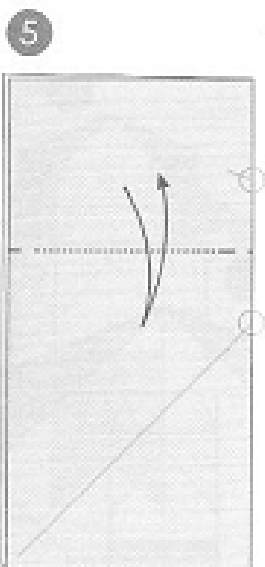
Fold the corner to the left edge. Unfold.

4

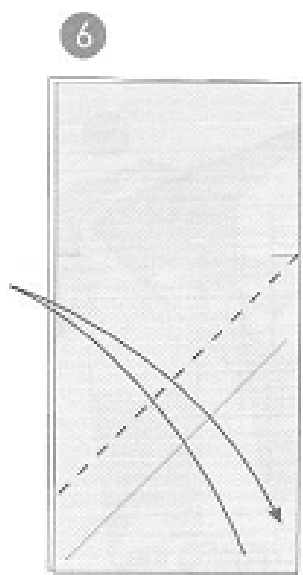


Fold the corner to the circled mark. Unfold.

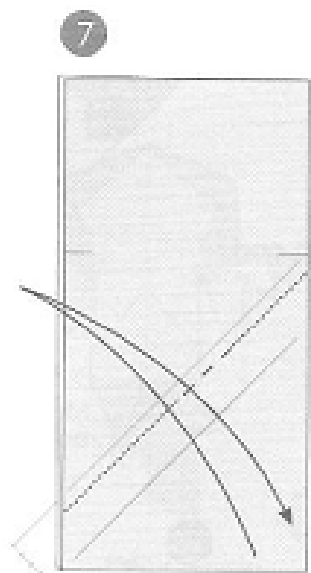




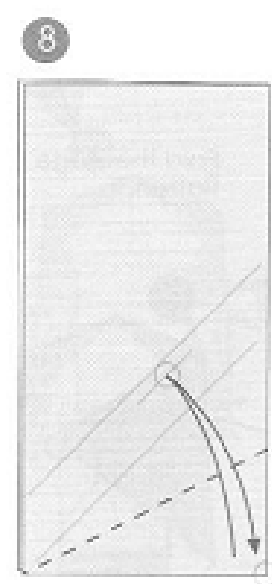
Align the marks. Unfold.



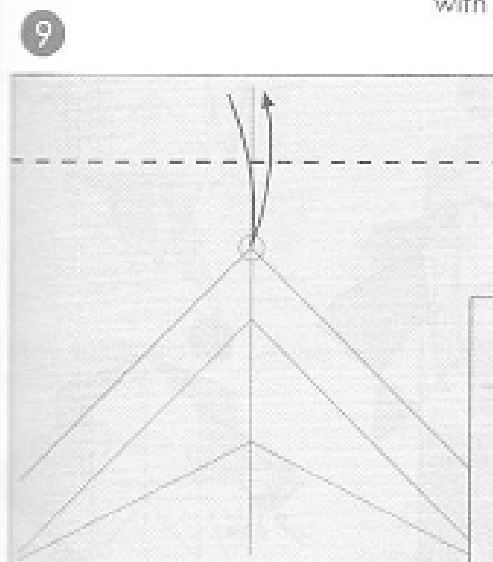
Align the right edge with the marks. Unfold.



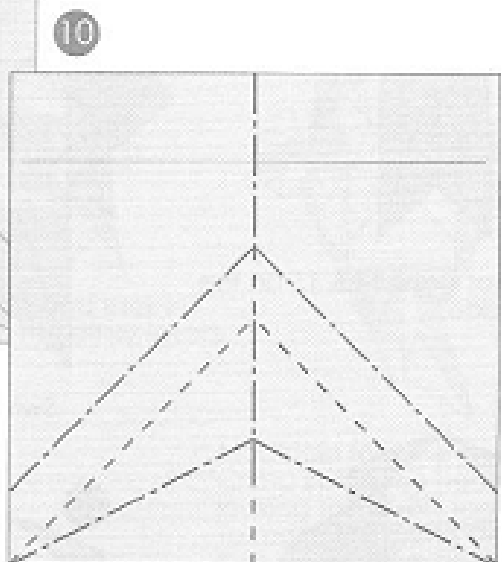
Fold 1/4 distance between the lines. Unfold.



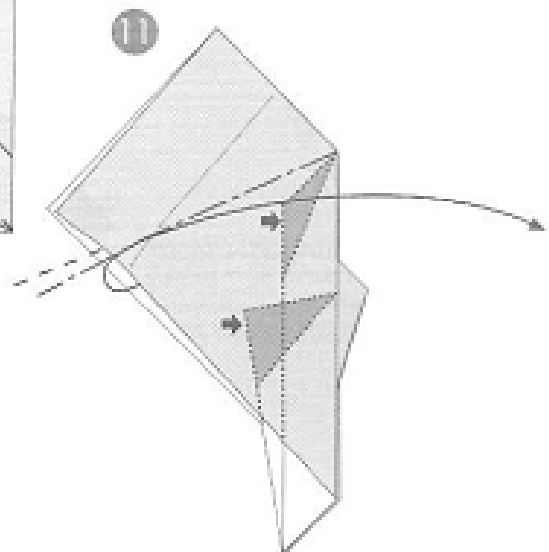
Fold the corner to the mark. Unfold everything.



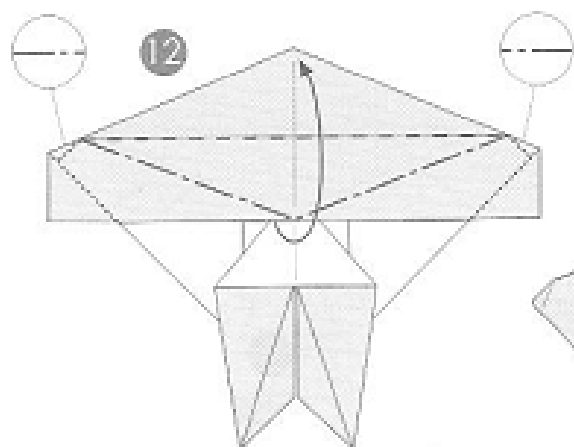
Fold the top edge to the marked point. Unfold.



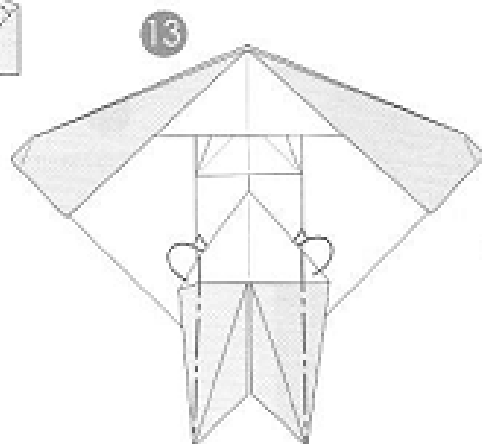
Collapse as indicated.



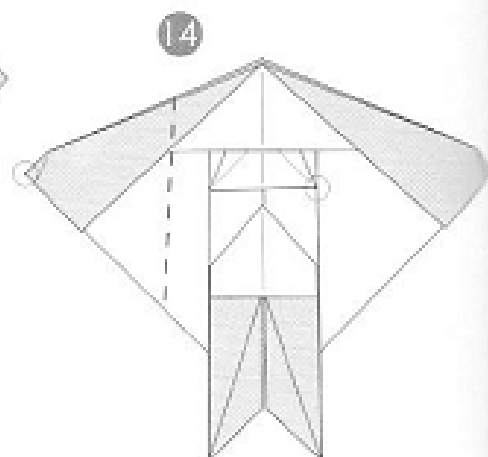
Swing the top layer to the right and spread squash together with the shaded areas.



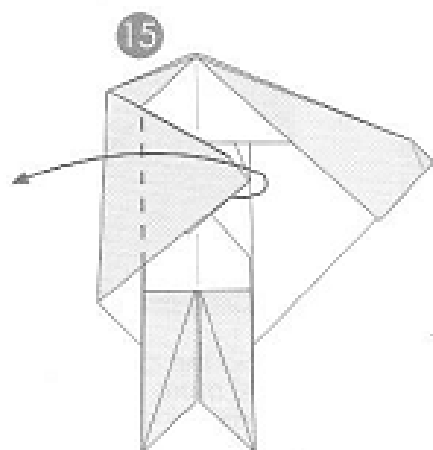
Fold the edge to the top and flatten.



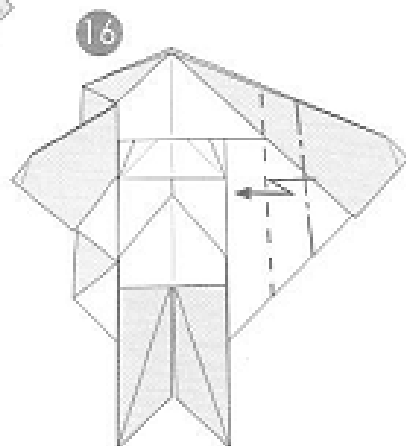
Mountain fold aligning the edges.



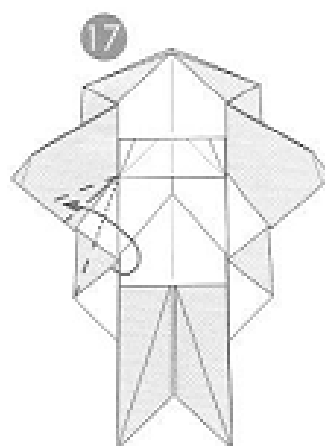
Fold the corner to the marked point.



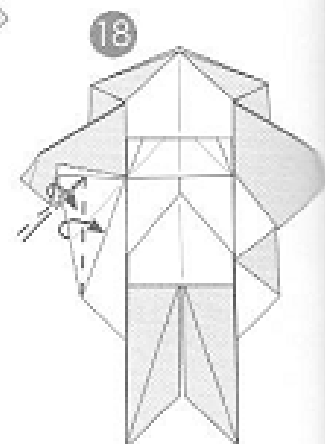
Fold to the left aligning it the crease with the lines beneath.



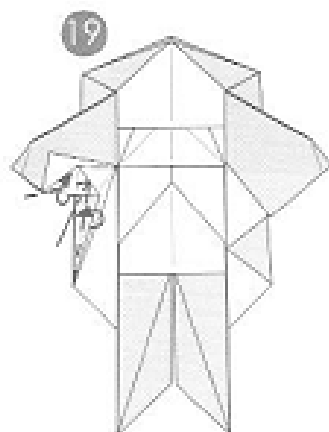
Repeat steps 14 & 15 on the right side.



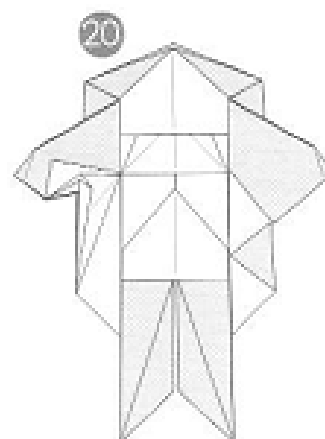
Swivel.



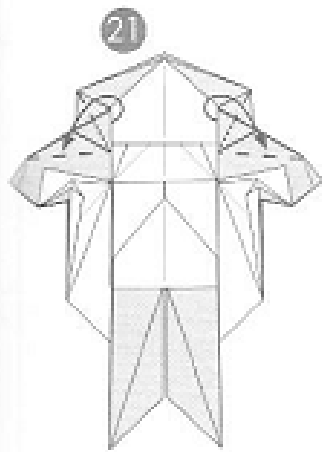
Swivel again.



Swivel once more.

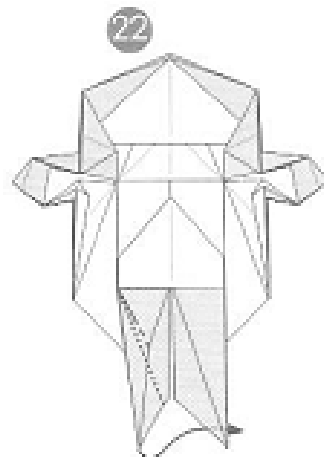


Repeat steps 17-19 on the right side.



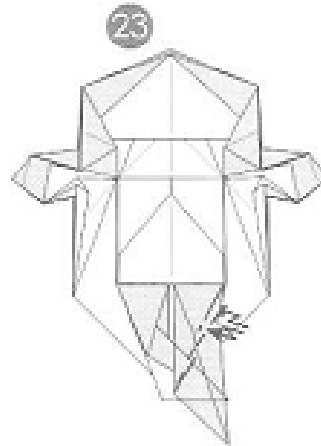
21

Swivel.



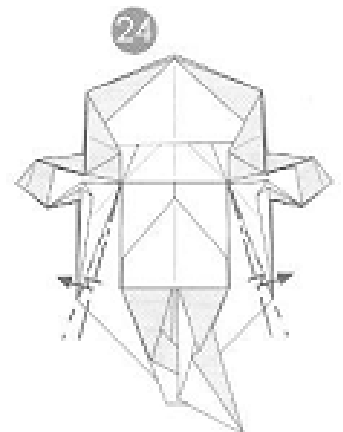
22

Inside reverse-fold.



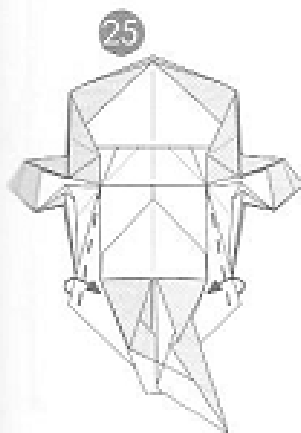
23

Crimp inside.



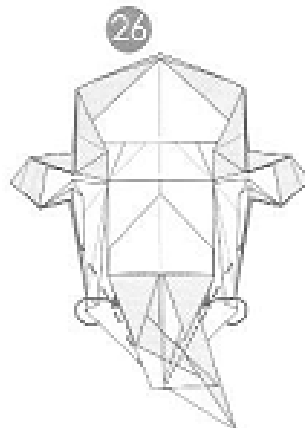
24

Crimp. The model will no longer lie flat.



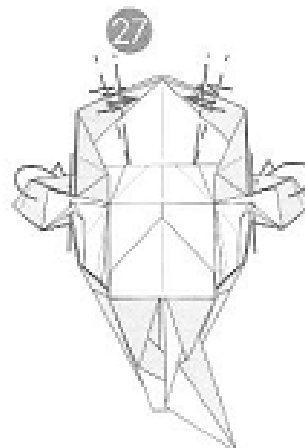
25

Valley-fold along the crease made in step 24.



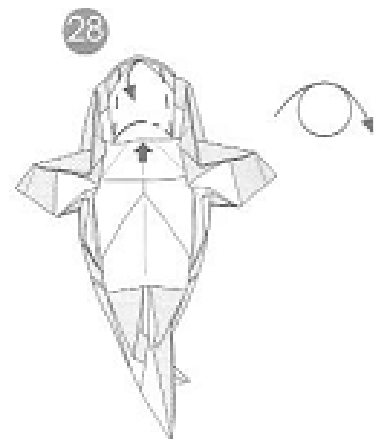
26

Fold inside and tuck in beneath the other layers.



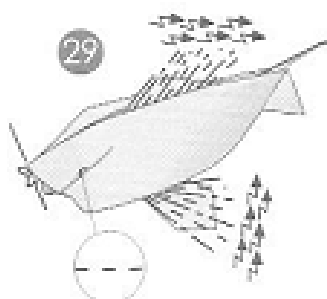
27

Mountain fold the pectoral fins. Crimp inside the head area locking the layers together. To make the crimp steps 15-21 can be undone.



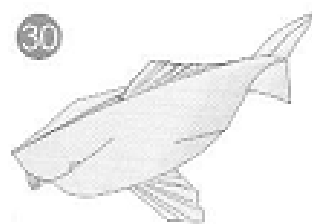
28

As you mountain fold the semi-circle pull down the top layer to open the mouth and form valley folds to narrow it



29

Shape the fins with crimps. Mountain fold the tip of the nose and shape the eyes and tail.



30

The finished Koi.